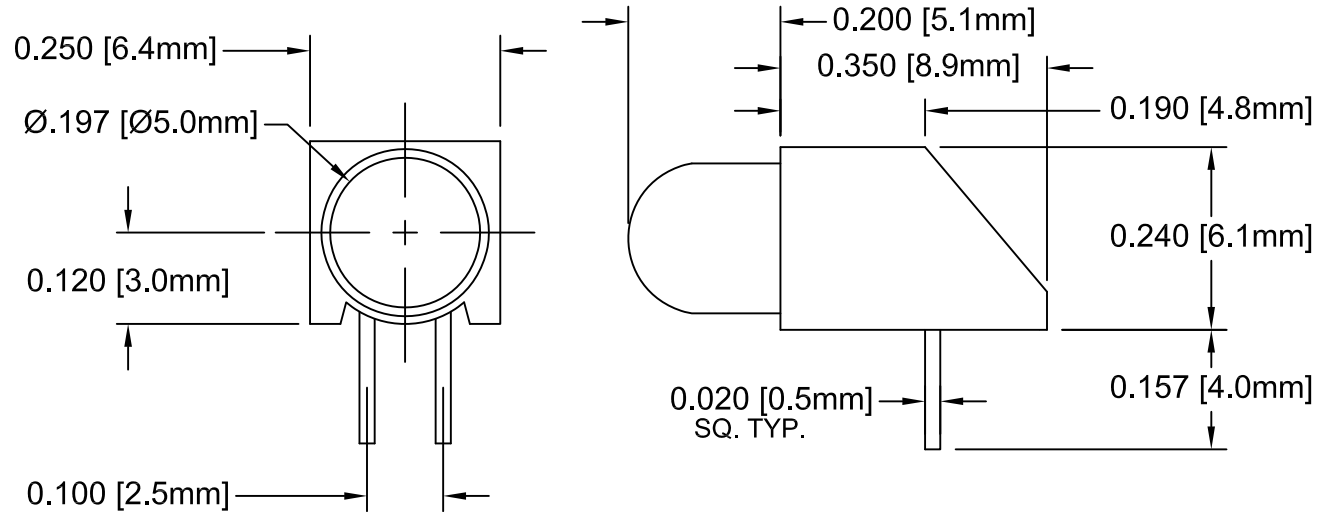
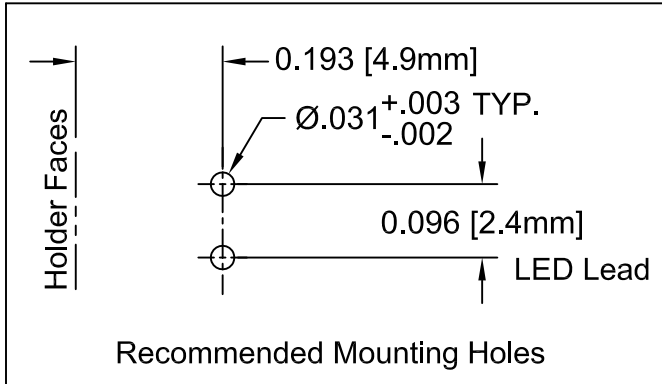
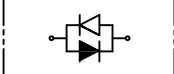


REV.	DESCRIPTION	DATE	APPROVED
A	Engineering Update w/o Changes	03/05/04	M. C.
B	Updated LED Protrusion from .215 to .200	12/19/06	M. C.
C	Changed Holder from H-178C-1 to H-178C-2	02/14/07	M. C.
D	Engineering Update w/o Changes	06/20/16	J. C.
E	Updated per EOL Notice	11/13/19	A. V.
F	ECO-1073 Removed BOM	10/12/20	A. V.



Green Cathode  Red Cathode

LED Assy. No.	Peak Wave Length λ_p (nm)	Emitted Color	Lens Appearance	Absolute Max. Ratings	Electro-Optical Data @ 20mA			Viewing Angle $2\theta_{1/2}$ (Deg)	LED P/N
					Vf (V)		Iv (mcd)		
					If (mA)	TYP	MAX		
H178CBC	635	HE RED	WHITE DIFFUSED	30	2.0	2.6	45	50	5BC
	568	GREEN			2.2	2.6	45		

ABSOLUTE MAXIMUM RATINGS (Ta=25° C)

REVERSE VOLTAGE _____ 5V



REVERSE CURRENT _____ 100uA

OPERATING TEMPERATURE RANGE _____ -40° C - 80° C

STORAGE TEMPERATURE _____ -40° C - 100° C

LEAD SOLDERING TEMPERATURE(1/16" FROM BODY) _____ 260° C FOR 5 SECONDS

CUSTOMER USE DRAWING

STANDARD TOLERANCE (UNLESS OTHERWISE SPECIFIED)		 4 THOMAS, IRVINE, CA. 92618 TEL: (949) 951-8808 FAX: (949) 951-3974			
DECIMALS	ANGULAR				
.X ± .1	X° ± 1°	 TITLE: T-1 1/4 (5mm) BI-COLOR 90° SINGLE-LEVEL LED ASSY			
.XX ± .02					
.XXX ± .010		DESIGNED: T. Yin	DATE: 03/05/04	DRAWING NO: H178CBCXX	REVISION: F
REVISOR: V. Chavez		DATE: 10/12/20	SHEET SIZE: A	CAGE CODE: 32559	
CHECKED: A. Valdez		DATE: 10/12/20	SCALE: NONE	SHEET # 1 OF 1	
CAD GENERATED DOCUMENT, DO NOT MEASURE DRAWING					